

Rotating cleaning nozzle MicroSpinner 2 Series 5M2



Features:

- Hygienic design
- Suitable for high temperatures
- Completely made of stainless steel 1.4404 (316L) or 2.4602 (Alloy 22)



Function video
www.lechler.com/de-en/medialibrary/videos-general-industry
 Or scan the QR code.

Series 5M2

Technical data:



Maximum operating temperature
 200 °C
 95 °C (ATEX)



Maximum ambient temperature
 250 °C
 200 °C (ATEX)



Installation
 Operation in every installation position



Bearing
 Double ball bearing made of stainless steel 1.4404 (316L) or 2.4602 (Alloy 22)



Material
 Stainless steel 1.4404 (316L) or 2.4602 (Alloy 22)



Weight
 80–100 g



Surface quality
 $Ra \leq 0.4 \mu m$
OUTSIDE



Surface quality
 $Ra \leq 0.8 \mu m$
INSIDE



Steam suitability
 Conditionally suitable



Insertion diameter
 28–48 mm



Recommended filter
 Line strainer with a mesh size of 0.1 mm/170 mesh



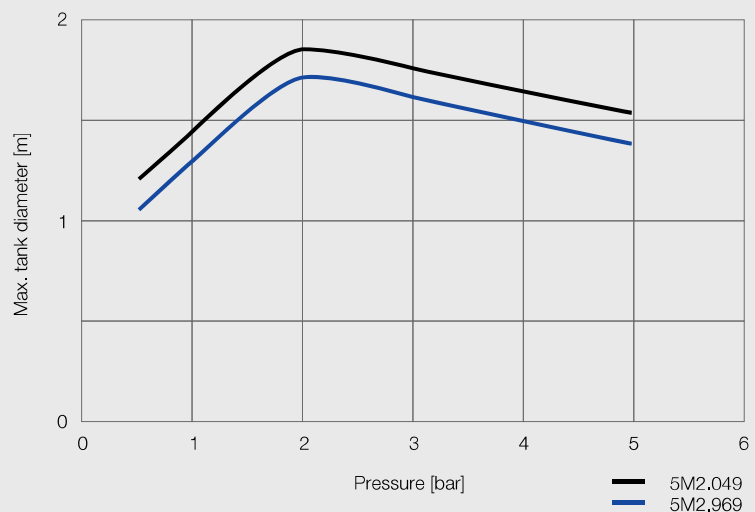
Recommended operating pressure
 2 bar



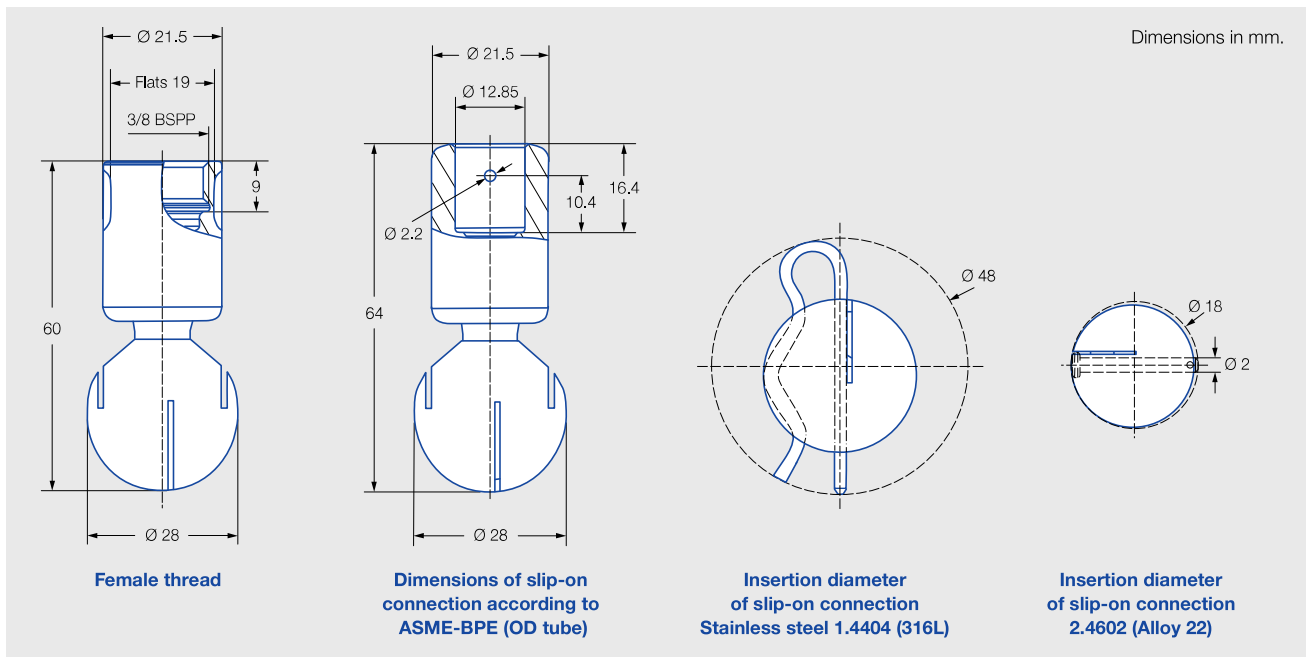
Adapter
 3/8 BSPP is compatible with HygienicFit



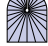


Max. tank diameter
 The specified maximum tank diameter applies to the recommended operating pressure and is indicative only. The type of soiling is also decisive for the cleaning result.



Overview of maximum tank diameter depending on pressure



Spray angle	Ordering no.					Narrowest cross-section \varnothing [mm]	\dot{V} water [l/min]			\dot{V} water at 2 bar [m ³ /h]	Max. tank diameter [m]
	Type	Mat. no.		Connection			p [bar] (p _{max} = 7 bar)				
		1Y	21	3/8 BSPP	1/2" slip-on connection		1.0	2.0	3.0		
60° 	5M2.952	●	●	AF	TF05	1.5	16	23	28	1.4	–
	5M2.042	●	●	AF	TF05	3.0	28	40	49	2.4	–
180° 	5M2.004	●	●	AF	TF05	0.9	22	32	39	1.9	1.8
360° 	5M2.969	●	●	AF	TF05	0.8	18	25	31	1.5	1.7
	5M2.049	●	●	AF	TF05	0.9	28	39	48	2.3	1.8

NPT threads, other slip-on connections and weld-on versions on request.

Information on operation

Compressed air can be used only for a short time for blowing dry. Use above the recommended pressure will have a negative effect on the cleaning result and wear.

Information on slip-on connection

- Cotter pin made of stainless steel 1.4404 (316L) included (ordering no. 05M.230.1Y.00.00). For version made of 2.4602 (Alloy 22), bolt with head incl. cotter pin included (ordering no. 05M.231.21.00.00).
- Depending on the adapter diameter, the flow rate may increase due to the leakage between the adapter and rotating cleaning nozzle.

Ordering example with FDA and (EC) 1935/2004 conformity.

All materials are suitable for contact with food.



Type + Material no. + Connection = Ordering no.
5M2.952 + 1Y + AF = 5M2.952.1Y.AF

Ordering example with ATEX approval, FDA and (EC) 1935/2004 conformity.

Unit group/Category/Zones:

- Ex II 1G Ex h IIB T6...T2 Ga
- Ex II 1D Ex h IIIC T85 °C...T250 °C Da



Important

The code for the connection changes for the ATEX version with slip-on connection.
Ordering example for slip-on connection: 5M2.952.1Y.T1.EX



Type + Material no. + Connection + ATEX = Ordering no.
5M2.952 + 1Y + AF + EX = 5M2.952.1Y.AF.EX